

• Applications

Advantages

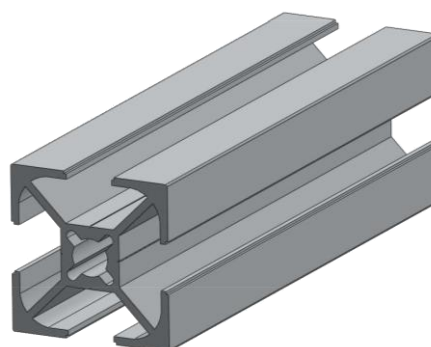
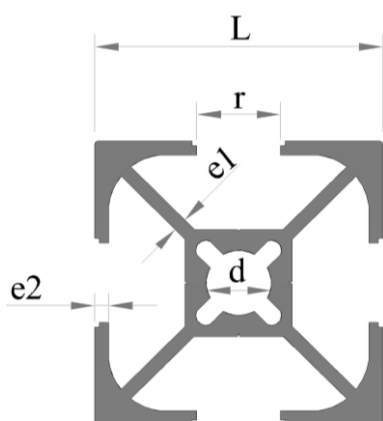
- ❖ Furniture: shelves, tables, laboratory devices.
- ❖ Auxiliary structures,...
- ❖ Machine Chassis: Fertilizer machine, CNC, Printer
- ❖ Structures for solar panels

- ❖ Light structure compared to steel.
- ❖ Quick assembly and disassembly using accessories
- ❖ Profile both aesthetic and protected against corrosion.

• Dimensions

AL P00 30

L(mm)	e1(mm)	e2(mm)	e3(mm)	d	r	Weight/m
30	1.4 mm	1.6 mm	-	Thread M8	8.4 mm	0.735 kg/ml



AL P00 40

L(mm)	e1(mm)	e2(mm)	e3(mm)	d	r	Weight/m
40	2.2 mm	2.4 mm	2.65	Thread M8	8.4 mm	1.650 kg/ml

